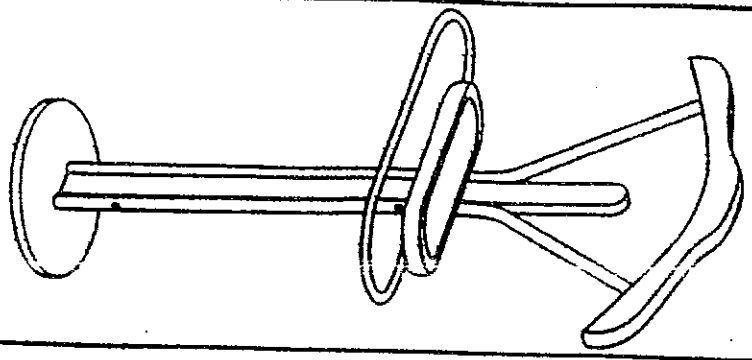
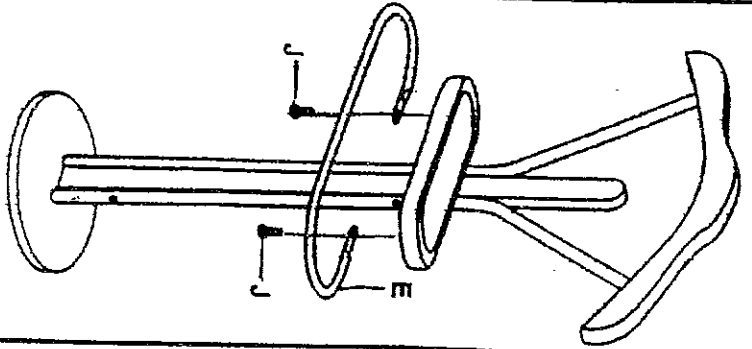
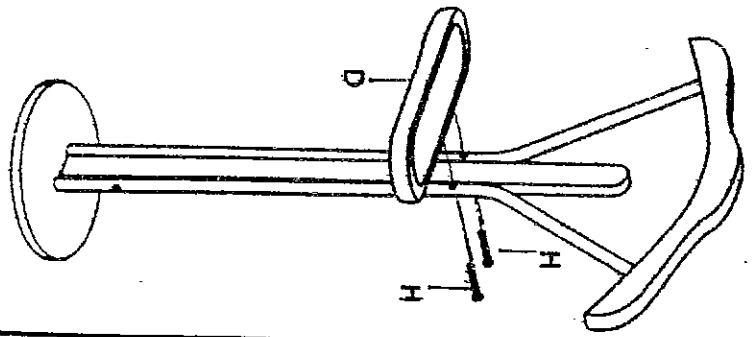
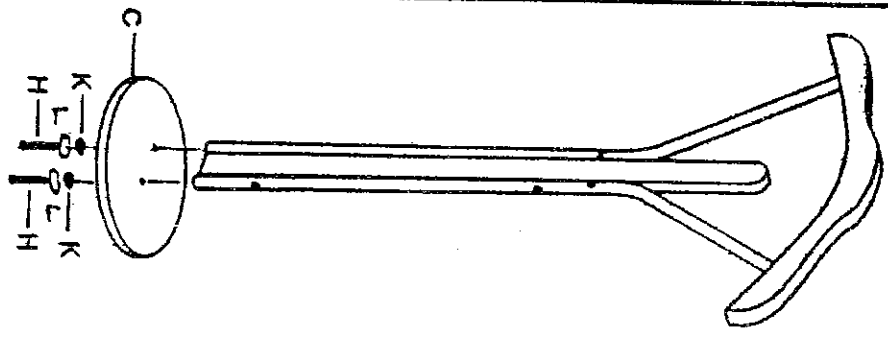
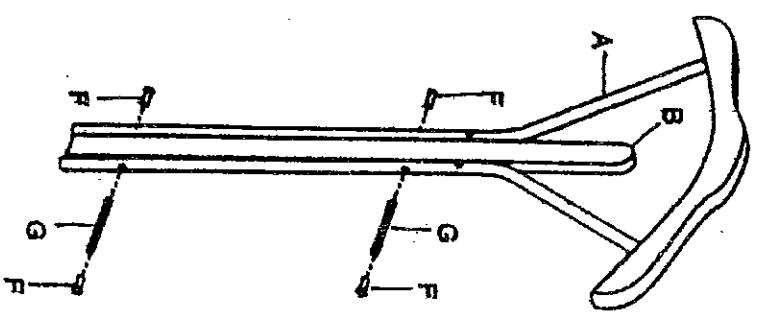
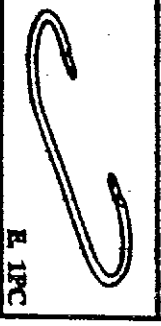
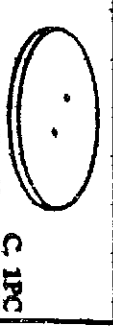
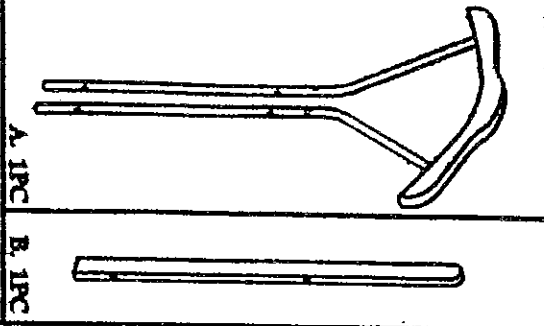


PARTS LIST



STEP 1

STEP 2

STEP 3

STEP 4